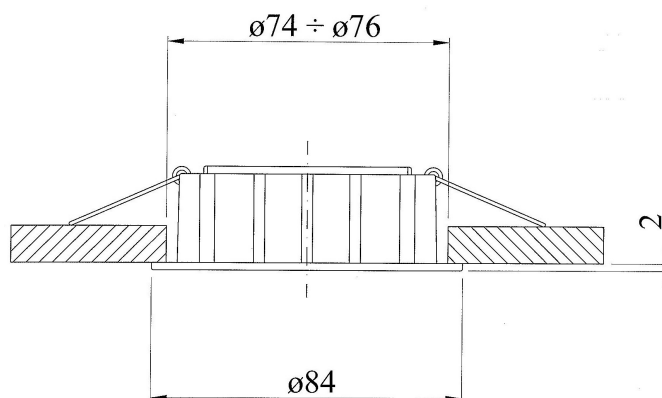


TECHNICAL SPECIFICATIONS:

SPOTLIGHT COMPLETE WITH:

- nr.2 lateral embeddable sprigs (inserted in the external ring)
- nr.1 toothed spring (**as an alternative a smooth spring**) frontally inserted in the inner ring
- nr.1 lateral torsion spring between the 2 rings to turn the light (in the Zama alloy version)



BULLS (NOT INCLUDED): Bulb carrier $\varnothing 50\text{mm}$

AVAILABLE IN THE FOLLOWING COLOURS:

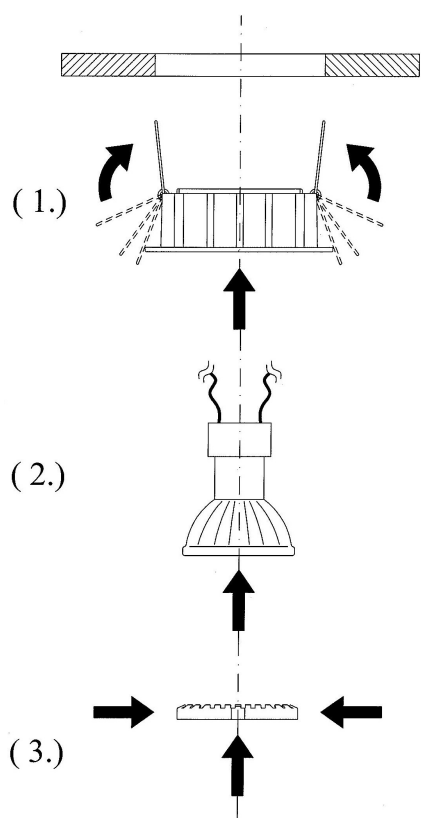
SPOTLIGHT OF "ZAMA" ALLOY:

Chrome, Golden, dull Nickel, 2-colours (golden inside, dull nickel outside)

SPOTLIGHT OF "ALUMINIUM" ALLOY

Embossed silver-coloured , White, Black, Satin

ASSEMBLY SPECIFICATIONS:



- (1.) Enlarge the 2 lateral springs of the spotlight and insert it in the hole.
- (2.) Link the bulb (NOT INCLUDED) in the provided bulb socket and insert it in the provided place inside the spotlight.
- (3.) Block the bulb by inserting the toothed spring and pressing slightly on the sides (as shown in the picture); make sure to maintain the tothing towards up.